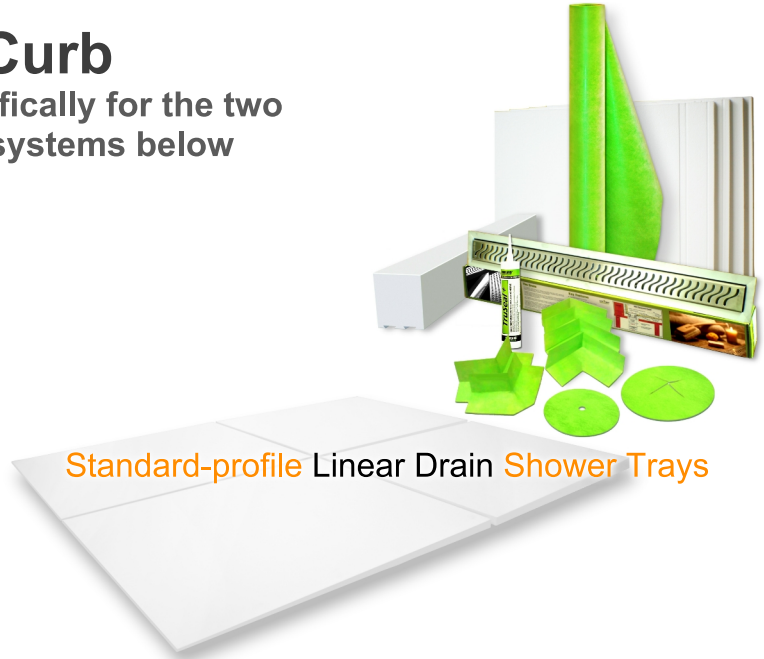


Trugard's TruCurb shower curb, are made of high density lightweight expanded polystyrene for the constructing shower dams. TruCurbs are specifically designed to integrate with Trugard<sup>®</sup> Standard TruSlope Center drain trays, Standard TruSlope Linear drain trays, and the Trugard<sup>®</sup> Vapor-shield or Steam-shield waterproofing membrane system.



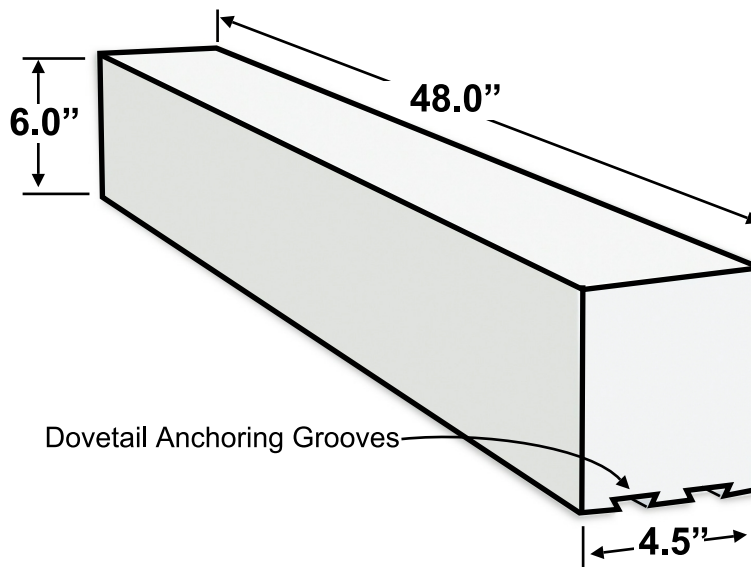
## TruCurb

Designed specifically for the two shower tray systems below



## TruCurb 4.5" x 6" x 48"

Polystyrene Shower Curb



Note : To be installed and adhered with Modified or Unmodified Thin-set Mortar. We highly recommend "Rapid-set" Modified thin-set mortar.

**Make it leak-proof... Faster & Easier!**